



HD SERIES HEAVY-DUTY DIRECTIONAL WARNING LAMPS

- 12/24V multivolt
- ECE R65 class 2 approved
- ECE R10 approved
- IP67 fully waterproof
- Heavy-duty lens design
- Up to 26 flash patterns
- Synchronise up to 10 units
- Five year warranty

electraQuip
vehicle warning products

12/24V

DUAL
VOLTAGE

IP67

100%
WATERPROOF

5

FIVE YEAR
WARRANTY

R65

ECE
APPROVED

R10

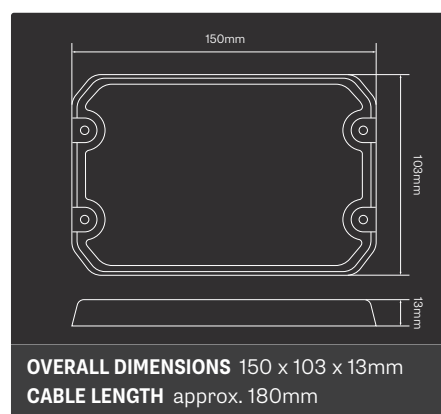
ECE
APPROVED

HDR6524DVA

**24-LED R65 APPROVED
AMBER WARNING LAMP**

Current Draw (13.8V / 28V):
1.3A / 0.66A

26x Flash Patterns



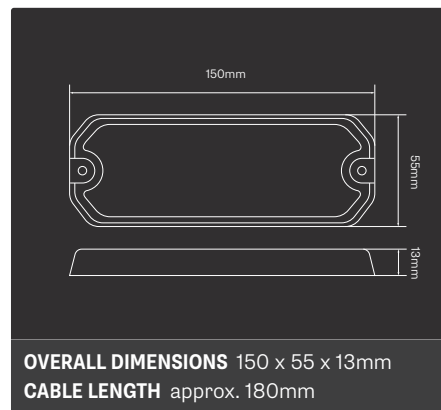
OVERALL DIMENSIONS 150 x 103 x 13mm
CABLE LENGTH approx. 180mm

HDR6512DVA

**12-LED R65 APPROVED
AMBER WARNING LAMP**

Current Draw (13.8V / 28V):
1.6A / 0.82A

26x Flash Patterns



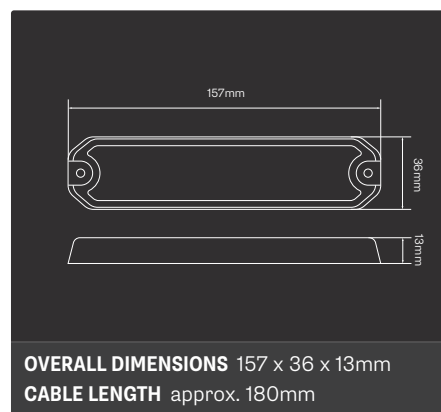
OVERALL DIMENSIONS 150 x 55 x 13mm
CABLE LENGTH approx. 180mm

HDR656DVA

**6-LED R65 APPROVED
AMBER WARNING LAMP**

Current Draw (13.8V / 28V):
0.81A / 0.41A

21x Flash Patterns



OVERALL DIMENSIONS 157 x 36 x 13mm
CABLE LENGTH approx. 180mm